

BA-5372/U

Technical Datasheet



Technical Specifications	
Part No.	UB1733
NSN	6135-01-214-6441
Voltage Range	4.0 to 6.6V
Average Voltage	6.0V
Nominal Capacity	500mAh @ 4.5mA to 4.0V @ 23°C
Max. Discharge	160mA continuous
Pulse Capability	Up to 300mA Varies according to pulse characteristics, temperature, cell history and the application.
Weight	20.0g
Operating Temperature	-40°C to 72°C
Storage Temperature	-40°C to 95°C
Exterior/Housing	Mylar Sleeve
Terminals/Connector	Nickel plated contacts
Safety	Material Safety Datasheet - MSDS023 Safety Guide UBM-5135
Transportation	Excepted from regulations for packages with gross mass of 2.5kg or less (see note)
Export Classification	EAR99
Harmonized Tariff Schedule	8506.50.0000

Features

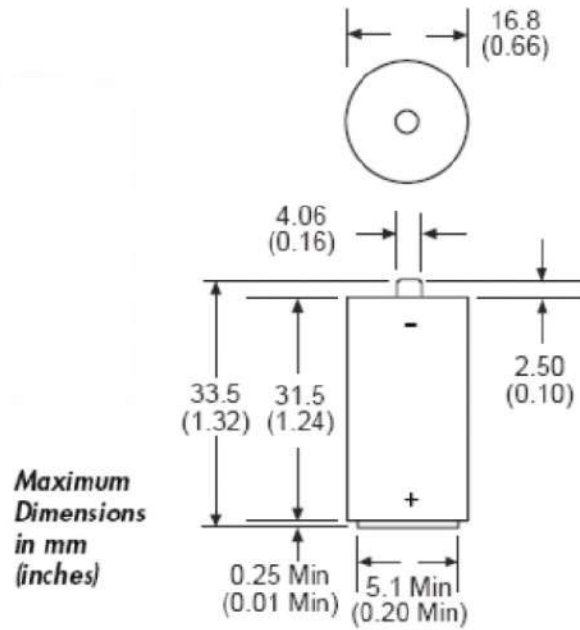
- High energy density
- No voltage delay
- Wide operating temperature range
- Lightweight
- Up to 10-year shelf life
- Long operating life
- Cells are hermetically sealed Ni-plated steel cans

Applications

- Consumer telematics
- Commercial telematics
- Search & rescue devices
- Military Communications, detectors and imaging
- Medical devices

Not for use in flashlights.

Dimensions



Performance Graphs

